

BALDOR® • RELIANCE 

Product Information Packet

VHEM2546T

60HP,3550RPM,3PH,60HZ,326HP,1268M,OPEN,F

| Part Detail | | | | | | | |
|-------------|--------|-------------|------------|-------------|--------|---------------|------------|
| Revision: | J | Status: | PRD/A | Change #: | | Proprietary: | No |
| Type: | AC | Elec. Spec: | 12WGY164 | CD Diagram: | CD0180 | Mfg Plant: | |
| Mech. Spec: | 12E671 | Layout: | 12LYE671 | Poles: | 02 | Created Date: | 07-13-2015 |
| Base: | N | Eff. Date: | 10-22-2019 | Leads: | 9#6 | | |

| Specs | | | |
|---------------------------------|-------------------------|--------------------------------|-----------------------|
| Catalog Number: | VHEM2546T | Heater Indicator: | No Heater |
| Enclosure: | OPEN | Insulation Class: | F |
| Frame: | 326HP | Inverter Code: | Inverter Ready |
| Frame Material: | Iron | KVA Code: | J |
| Output @ Frequency: | 60.000 HP @ 60 HZ | Lifting Lugs: | Vertical Lifting Lugs |
| Synchronous Speed @ Frequency: | 3600 RPM @ 60 HZ | Locked Bearing Indicator: | Locked Bearing |
| Voltage @ Frequency: | 460.0 V @ 60 HZ | Motor Lead Quantity/Wire Size: | 9 @ 6 AWG |
| | 230.0 V @ 60 HZ | Motor Lead Exit: | Ko Box |
| XP Class and Group: | None | Motor Lead Termination: | Flying Leads |
| XP Division: | Not Applicable | Motor Type: | 1268M |
| Agency Approvals: | UR | Mounting Arrangement: | F1 |
| | CSA EEV | Power Factor: | 88 |
| | CSA | Product Family: | General Purpose |
| Auxillary Box: | No Auxillary Box | Pulley End Bearing Type: | Ball |
| Auxillary Box Lead Termination: | None | Pulley Face Code: | P-Base |
| Base Indicator: | No Mounting | Pulley Shaft Indicator: | P-Base Groove & Key |
| Bearing Grease Type: | Polyrex EM (-20F +300F) | Rodent Screen: | None |
| Blower: | None | Shaft Extension Location: | Pulley End |

| | | | |
|---------------------------------------|---------------------------|------------------------------------|---------------------|
| Current @ Voltage: | 132.000 A @ 230.0 V | Shaft Ground Indicator: | No Shaft Grounding |
| | 144.000 A @ 208.0 V | Shaft Rotation: | Reversible |
| | 66.000 A @ 460.0 V | Shaft Slinger Indicator: | Shaft Slinger |
| Design Code: | A | Speed Code: | Single Speed |
| Drip Cover: | Drip Cover | Motor Standards: | NEMA |
| Duty Rating: | CONT | Starting Method: | Direct on line |
| Electrically Isolated Bearing: | Not Electrically Isolated | Thermal Device - Bearing: | None |
| Feedback Device: | NO FEEDBACK | Thermal Device - Winding: | None |
| Front Face Code: | Drip Cover Mounting | Vibration Sensor Indicator: | No Vibration Sensor |
| Front Shaft Indicator: | None | Winding Thermal 1: | None |
| | | Winding Thermal 2: | None |

| Nameplate NP2138L | | | | | | | | | | | | |
|-------------------|--------------|----|----------|----------------|------------|-------|-------|-----------|------|--|--------|------|
| CAT.NO. | VHEM2546T | | | P/N | | | | ENCLOSURE | OPEN | | | |
| SPEC. | 12E671Y164G1 | | CC | 010A | | FRAME | 326HP | | S/N | | | |
| HP | 60 | | | CLASS | F | | HZ | 60 | | | | |
| RPM | 3550 | | | PH | 3 | | DES | A | | | | |
| VOLT | 230/460 | | | | KVA-CODE | J | | ODE BRG | 6311 | | DE BRG | 6313 |
| AMP | 132/66 | | | USABLE AT 208V | 144 | | | | | | | |
| RATING | 40C AMB-CONT | | | GREASE | POLYREX EM | | | | | | | |
| NEMA-NOM-EFF | 93.6 | PF | 88 | | SER.F. | 1.15 | | | | | | |
| HTR-VOLTS | | | HTR-AMPS | | | | | | | | | |

| Parts List | | |
|-------------|---|----------|
| Part Number | Description | Quantity |
| SA303902 | SA 12E671Y164G1 | 1.000 EA |
| RA291054 | RA 12E671Y164G1 | 1.000 EA |
| 10CB3000A52 | KOBX,MACH W/3.50 MTG PAT, 2.00 NPT, #26 | 1.000 EA |
| 14GS1000SP | GASKET, CONDUIT BOX | 1.000 EA |
| 10XN3118K12 | 5/16-18 X .75 GRADE 5, ZINC PLATED | 4.000 EA |
| HW1001A31 | LOCKWASHER 5/16, ZINC PLT.591 OD, .319 I | 4.000 EA |
| WD1000B25 | GND LUG, BURNDY L125HP OR T&B L125HP-BB | 1.000 EA |
| 19XW3118G08 | .31-18X.50,HEX WSHR HD,TAPTITE 2,GREEN | 1.000 EA |
| 12EP1205A01 | FREP, MACH - 311 BRG | 1.000 EA |
| 12AD2000A01 | AIR DEFLECTOR | 1.000 EA |
| 51XF2520A08 | SCREW, HEX SER SLT HD, ZN 1/4-20 X .50 L | 3.000 EA |
| 10XN5013K64 | HEX HD SCREW, 1/2-13X4.00GRADE 5, ZINC P | 4.000 EA |
| HW1001A50 | LOCKWASHER 1/2, ZINC PLT.,.879 OD, .509 I | 4.000 EA |
| HW4600B42 | V-RING SLINGER 2.375 X 3.070 X .28 VITON | 1.000 EA |
| HW5100A13 | W4627-047 WVY WSHER | 1.000 EA |
| 10XN3816K80 | 3/8-16 X 5.00 HEX HD CAP SCREW GRADE 5 Z | 4.000 EA |
| HW1001A38 | LOCKWASHER 3/8, ZINC PLT .688 OD, .382 I | 4.000 EA |
| 12EP1506A02 | PUEP, MACH - 313 BRG | 1.000 EA |
| 10XN5013K44 | 1/2-13 X 2.75 HEX HD GRADE 5 | 4.000 EA |
| HW1001A50 | LOCKWASHER 1/2, ZINC PLT.,.879 OD, .509 I | 4.000 EA |
| 12FH1501A01 | DRIP COVER, MACH | 1.000 EA |
| HW3201A13 | .62-11 EYEBOLT W/2.00 SHANK | 2.000 EA |
| HW1000A62 | WASHER, 5/8" FLAT USS | 2.000 EA |
| HW1001A63 | WASHER, 5/8 SPLIT LK, ZN | 2.000 EA |

| Parts List (continued) | | |
|------------------------|---|----------|
| Part Number | Description | Quantity |
| 10CB3500SP | CONDUIT BOX LID, CAST | 1.000 EA |
| 10GS1000SP | GASKET, CONDUIT BOX LID | 1.000 EA |
| 51XW2520A12 | .25-20 X .75, TAPTITE II, HEX WSHR SLTD | 4.000 EA |
| HW1001A25 | LOCKWASHER 1/4, ZINC PLT .493 OD, .255 I | 4.000 EA |
| HW2501G32 | KEY, 3/8 SQ X 3.750 | 1.000 EA |
| LB1182 | WARNING LABEL FOR MOTORS WITH EYENUTS | 2.000 EA |
| HW4500A03 | GREASE FITTING, .125 NPT 1610(ALEMITE) 8 | 1.000 EA |
| HW4500A17 | 317400 ALEMITE GREASE RELIEF | 1.000 EA |
| HA4051A00 | PLASTIC CAP FOR GREASE FITTING | 1.000 EA |
| MG1025G05 | WILKOFASST, 789.227, MED. GRAY CHAR. MET. | 0.080 GA |
| MJ1000A02 | GREASE, MOBIL POLYREX EM - 124047 | 0.200 LB |
| HW4500A03 | GREASE FITTING, .125 NPT 1610(ALEMITE) 8 | 1.000 EA |
| HW4500A17 | 317400 ALEMITE GREASE RELIEF | 1.000 EA |
| HA4051A00 | PLASTIC CAP FOR GREASE FITTING | 1.000 EA |
| 85XU0407S04 | 4X1/4 U DRIVE PIN STAINLESS | 4.000 EA |
| LB1119N | WARNING LABEL | 1.000 EA |
| LC0181 | CONNECTION LABEL | 1.000 EA |
| NP2138L | ALUM SUPER-E UL CSA-EEV PREM CC (300 | 1.000 EA |
| 10PA1020 | PACKAGING GROUP, BLANK PK1151 | 1.000 EA |
| MN416A01 | TAG-INSTAL-MAINT no wire (1200/bx) 3/19 | 1.000 EA |

AC Induction Motor Performance Data

Record # 79481 - Typical performance - not guaranteed values

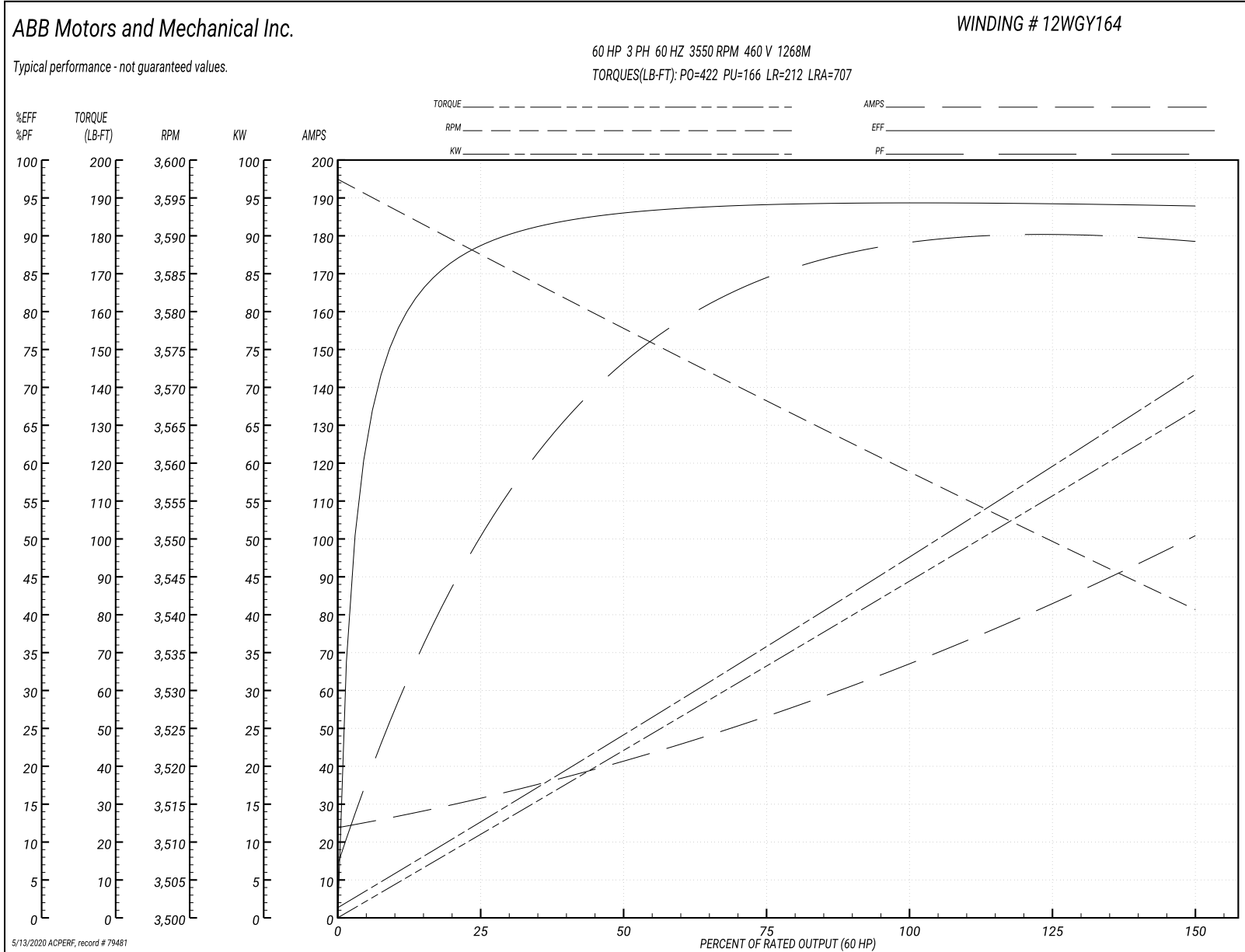
| | | |
|-------------------------------|--------------------|------------------------|
| Winding: 12WGY164-R001 | Type: 1268M | Enclosure: OPEN |
|-------------------------------|--------------------|------------------------|

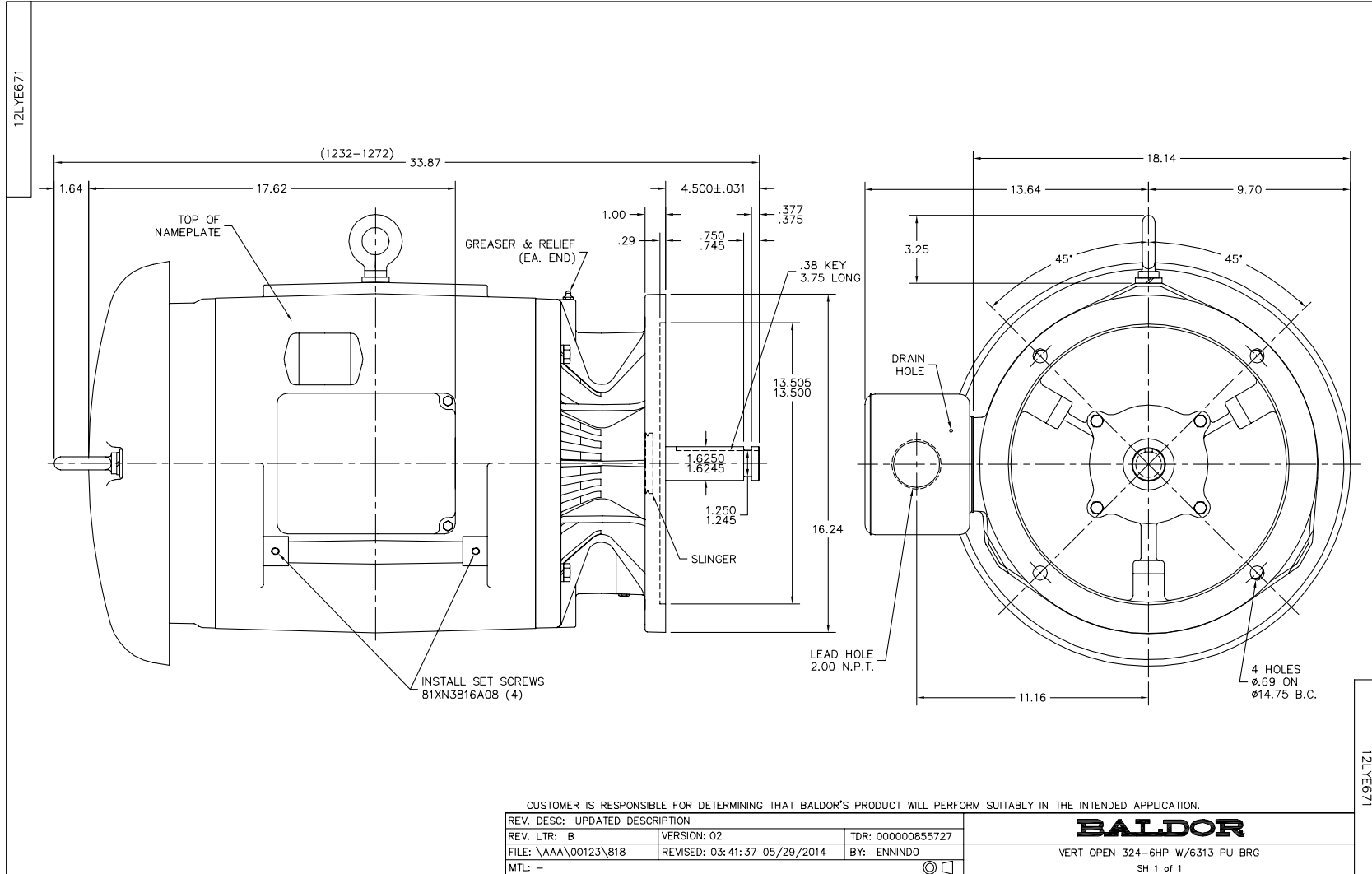
| Nameplate Data | | | | 460 V, 60 Hz: High Voltage Connection | |
|-----------------------|--------------|--------------|----|--|-------------------------|
| Rated Output (HP) | 60 | | | Full Load Torque | 88.66 LB-FT |
| Volts | 230/460 | | | Start Configuration | direct on line |
| Full Load Amps | 132/66 | | | Breakdown Torque | 422 LB-FT |
| R.P.M. | 3550 | | | Pull-up Torque | 166 LB-FT |
| Hz | 60 | Phase | 3 | Locked-rotor Torque | 212 LB-FT |
| NEMA Design Code | A | KVA Code | J | Starting Current | 707 A |
| Service Factor (S.F.) | 1.15 | | | No-load Current | 25 A |
| NEMA Nom. Eff. | 93.6 | Power Factor | 88 | Line-line Res. @ 25°C | 0.0732 Ω |
| Rating - Duty | 40C AMB-CONT | | | Temp. Rise @ Rated Load | 79°C |
| S.F. Amps | | | | Temp. Rise @ S.F. Load | 94°C |
| | | | | Locked-rotor Power Factor | 20.7 |
| | | | | Rotor inertia | 5.32 lb-ft ² |

Load Characteristics 460 V, 60 Hz, 60 HP

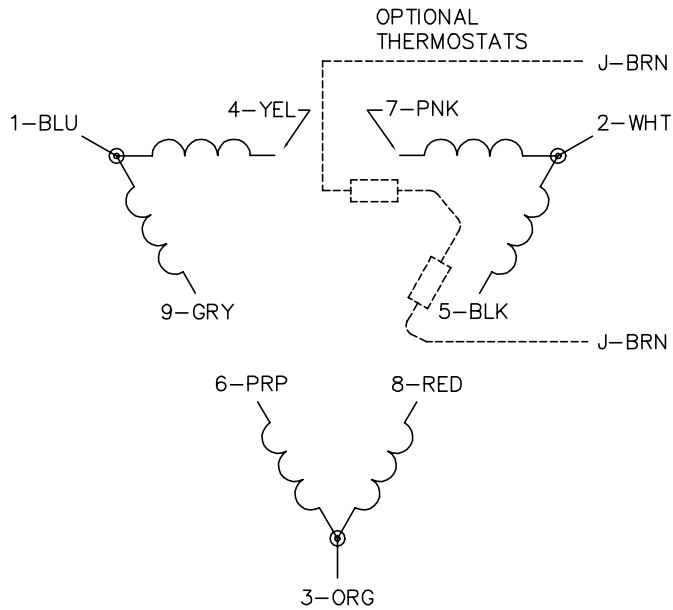
| % of Rated Load | 25 | 50 | 75 | 100 | 125 | 150 | S.F. |
|-----------------|------|------|------|------|------|------|------|
| Power Factor | 54 | 75 | 84 | 88 | 89 | 90 | 89 |
| Efficiency | 88.6 | 92.9 | 94.1 | 94.4 | 94.1 | 93.9 | 94.2 |
| Speed | 3585 | 3577 | 3569 | 3560 | 3550 | 3540 | 3554 |
| Line amperes | 30.2 | 40.8 | 53.5 | 67.9 | 83.4 | 100 | 77.2 |

Performance Graph at 460V, 60Hz, 60.0HP Typical performance - Not guaranteed values





CD0180



LOW VOLTAGE
(2D)



HIGH VOLTAGE
(1D)



NOTES:

1. INTERCHANGE ANY TWO LINE LEADS TO REVERSE ROTATION.
2. OPTIONAL THERMOSTATS ARE PROVIDED WHEN SPECIFIED.
3. ACTUAL NUMBER OF INTERNAL PARALLEL CIRCUITS MAY BE A MULTIPLE OF THOSE SHOWN ABOVE.
4. LEAD COLORS ARE OPTIONAL. LEADS MUST ALWAYS BE NUMBERED AS SHOWN.

CD0180

| | | |
|-----------------------------------|------------------------------|-------------------|
| REV. DESC: ADD CLASS CONN00000007 | | |
| REV. LTR: D | VERSION: 01 | TDR: 000001099922 |
| FILE: \AAA\00005\148 | REVISED: 10:25:29 02/19/2019 | BY: ENBRIRO |
| MTL: - | © □ | |

BALDOR - RELIANCE®

3PH, DV, 9 LEADS, DELTA CONNECTION

SH 1 of 1

Marketing maintained PDF of MN416:

<http://www.baldor.com/support/Literature/Load.ashx/MN416?ManNumber=MN416>